

The one that creates a new trend

# IMPREX II

## Ultra-Performance and Sleek Design POS System

- Selectable processor for your needs

*Fast-performance with the 4th generation Intel® Core™ processors (i3, i5, i7) or Low-Power/Lower-Cost with the Intel® Celeron™ processor.*

- High-Speed Storage Device SSD (32GB or 64GB / Max. 2)
  - 15" Capacitive Touch Screen
  - Eco-Friendly, LED Backlight Display



*IMPREX II can be selectively equipped with High-performance processor (Intel® Haswell i3/i5/i7) or Energy Efficient Processor (Intel® Celeron™) according to user's demand.*

## Options



### 15" LCD Display

- Backlight LED technology
- Capacitive 'True-flat' gesture touch



### Multi-Reader

- Magnetic Stripe Reader (MSR)
- Smart Card Reader (SCR)



### CDP

- VFD Type
- 2 Lines x 20 Characters



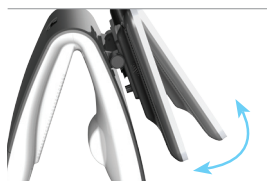
### Dual Display Monitor

- 9.7", 12.1" LCD
- Resolution : 1024 x 768



### Integrated Printer

- 3" Thermal receipt printer
- 200mm/sec max. Auto-cutter
- Easy Installation



### Wind Range Tilt

- Adjustable viewing angle for various environments



### Dual Storage

- Fail-Safe Support for SSD
- 32GB or 64GB (Max.2)



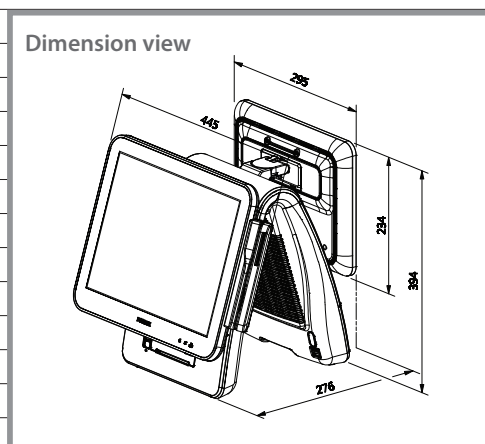
### Smart Battery

- Embedded UPS Function
- Prevents Sudden Death of Data

# Specifications



	IMPREX II H SERIES	IMPREX II J
<b>CPU</b>	Intel® Core™ Mobile Haswell Processor (Max TDP 47W) i3, i5, i7 (TDP 37W, Fanless)	Intel® Celeron™ J1900 (2.0 GHz) Quad-core Processor
<b>Chipset</b>	Intel® HM87 (Co-Lay QM87)	Intel® Atom™ Processor Bay Trail
<b>Storage</b>	SATA 3 (6Gb/s) 2.5 inch SSD 64GB (Max. 2 Optional) Support AHCI	SATA 2 (3Gb/s) 2.5 inch SSD 32GB (Max. 2 Optional) Support AHCI
<b>Memory</b>	DDR3L with 1066 or 1333 MT/s	DDR3L with 1066 or 1333 MT/s
<b>Graphic</b>	Integrated Intel GMA HD	Integrated Intel GMA HD
<b>RAID</b>	RAID 0,1 support	-
<b>Display</b>		
<b>Resolution</b>	15" LED Backlight TFT-LCD 250 cd/m <sup>2</sup> (1024 x 768 resolution)	
<b>Touch screen</b>	Project capacitive touch	
<b>Internal I/O</b>		
<b>USB</b>	8 Ports (reserved for touch controller, miniPCIe)	7 Ports (reserved for touch controller, miniPCIe)
<b>Serial port</b>	COM 5 (reserved for cash drawer port) & COM 6 (reserved for MSR)	COM 5 (reserved for cash drawer port) & COM 6 (reserved for MSR)
<b>Display port</b>	VGA & COM 4 (reserved for CDP)	VGA & COM 4 (reserved for CDP)
<b>Extension slot</b>	Mini PCIe	Mini PCIe
<b>Primary display</b>	24bit LVDS	24bit LVDS
<b>External I/O</b>		
<b>USB</b>	Rear 6 (USB 3.0 x 4 ports, USB 2.0 x 2 ports), Side 2(USB 2.0 x 2 ports)	Rear 6 (USB 3.0 x 1 ports, USB 2.0 x 5 ports), Side 2(USB 2.0 x 2 ports)
<b>PS/2</b>	1 Port (reserved for Keyboard & Mouse)	
<b>Serial port</b>	COM 1 ~ 3 with 5V/12V power output on 9pin	
<b>LAN</b>	Realtek RTL 8111G Ethernet Controller	Realtek RTL 8111G Ethernet Controller
<b>Audio</b>	Realtek ALC 892 / Line-out, Mic-in	Realtek ALC 892 / Line-out, Mic-in
<b>Display port</b>	VGA x 1 port	VGA x 1 port
<b>Options</b>		
<b>MSR</b>	Comply with ISO 7811, Support 1 & 2 & 3 track	
<b>Speaker</b>	2 x 0.8W (Stereo)	
<b>Printer</b>	3" Jam-free direct thermal (200 mm/sec max) / Support Interface ( Serial, USB )	
<b>SCR</b>	EMV level 1	
<b>Dallas</b>	Dallas I-button reader	
<b>Customer display</b>	VFD type (20 x 2)	
<b>2nd LCD</b>	9.7" LCD or 12.1" LCD (1024 x 768 resolution)	
<b>2nd storage</b>	2nd 2.5 inch HDD / SSD storage	
<b>Cash drawer port</b>	1 port	
<b>Parallel port</b>	D-SUB 25Pin 1Port	
<b>WiFi</b>	Mini PCIe for wireless LAN	
<b>Serial</b>	RJ45 8pin 1Port	
<b>Battery</b>	4S1P SANYO 2050mAh	
<b>Operating Temperature</b>	0°C ~ 40°C at 10% ~ 80% humidity	
<b>Storage Temperature</b>	-20°C ~ 60°C at 10% ~ 80% humidity	
<b>Qualification</b>	CE, FCC, KC, CCC	
<b>Power</b>	Adaptor 24V, 6A	Adaptor 24V, 6A or 12V, 5A (none printer type)
<b>OS Support</b>	Windows 7, Windows 8, POS Ready 7	Windows 7, Windows 8, POS Ready 2009/7
<b>Dimension (WxHxD)</b>	364 x 382 x 285(mm), 14.3x 15 x 11.2(inch)	



\* Product specifications may differ according to region and may be changed without prior notice.



Copyright(c) POSBANK All right reserved.

**Head Office.** 805~808, New T Castle Building, 429-1 Gasan-dong, Geumcheon-Gu, Seoul, 153-779, South Korea.

Tel : +82-2-2626-9118 Fax : +82-2-2626-9119 e-mail : sales@posbank.com

[www.posbank.com](http://www.posbank.com)

## POSBANK USA

California : 534 Finney Court, Gardena, California 90248

Tel : +1-310-808-9114 Fax : +1-310-808-9122 e-mail : sales@posbankusa.com

New York : 75 Fairchild Ave. Plainview New York 11803

TOLL FREE : 1-888-998-1POS(1767)

[www.posbankusa.com](http://www.posbankusa.com)

## POSBANK CANADA

400 Creditstone RD. Unit 26, Vaughan Ontario L4K 3Z3, Canada

Tel : +1-289-633-1235 Fax : +1-905-766-3207

e-mail : sales@posbankcanada.com

[www.posbankcanada.com](http://www.posbankcanada.com)

Rev. 001-1412